

MaxMotion

PERFORMANCE DATA SHEET

Meets or exceeds MEPS, as described by the US DOE in docket 10CFR431 and NRCAN's Amendment 14

Catalogue #: **MPSP-156L**

| HP | kW | Voltage | S.F. @ 60Hz | Efficiency | Power Factor | Frame | Design | L.R. Amps |
|-----|------|---------|-------------|------------|--------------|-------|--------|-----------|
| 1,5 | 1,12 | 575 | 1,15 | 87,5% | 0,655 | 56C | B | 15 |

| 60 Hz | | | | | | | | |
|-------|-----|-----|-----|-----|------|-----|------|----------|
| FLA | | | | | | | Code | F.L. RPM |
| 208 | 230 | 416 | 460 | 480 | 575 | 600 | | |
| / | / | / | / | / | 1,96 | / | K | 1150 |

| 50 Hz | | | | | | | | |
|-------|-----|-----|-------------|------------|--------------|------|----------|--|
| FLA | | | S.F. @ 50Hz | Efficiency | Power Factor | Code | F.L. RPM | |
| 190 | 380 | 415 | | | | | | |
| / | / | / | / | / | / | / | / | |

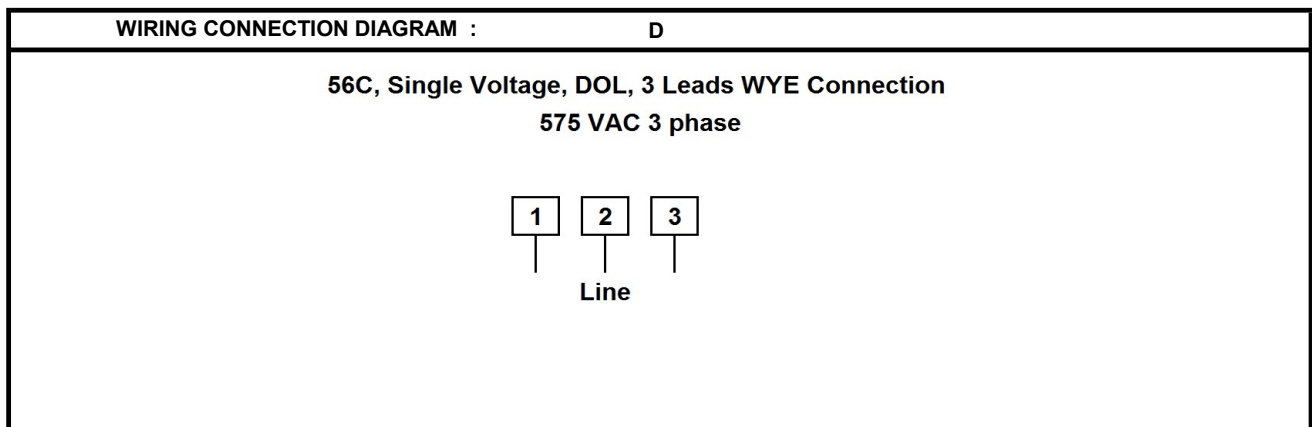
| Wgt. Lbs | PH | Duty | Insul. Class | Amb. | Elevation | Temp. Rise° C |
|----------|----|-------|--------------|------|-----------------|---------------|
| 30,86 | 3 | Cont. | F | 40°C | 1000M (3300 Ft) | 66 |

| % Efficiency | | % Power Factor | | Torque | | Winding Resist. Ω | Safe Cold Start (Secs) |
|--------------|-------|----------------|------|------------------|-----|-------------------|------------------------|
| Full Load: | 87,5% | Full Load: | 0,66 | Full Load Ft/Lbs | 6,9 | | |
| 3/4 Load: | 79,9% | 3/4 Load: | 0,60 | Locked Rotor % | 250 | / | 12 |
| 1/2 Load: | 65,2% | 1/2 Load: | 0,52 | Break Down % | 340 | / | 12 |

| Rotor Inertia Wk2 Lb-Ft2 | Max Load Inertia Wk2 Lb-Ft2 | Shaft Material | Frame Material | DE Bracket Type | ODE Bracket Type | Enclosure | NEMA Rating | Lead Wire Size |
|--------------------------|-----------------------------|----------------|-----------------|-----------------|------------------|-----------|-------------|----------------|
| / | / | 304SS | Stainless Steel | | | TEFC | IP69K | 14 AWG |

| Ball Bearings | | Grease | Mount Type | Orientation | Paint | Sound Pressure @ 3FT | Sound Power |
|---------------|------|-----------------|------------|-------------|-------|----------------------|-------------|
| DE | ODE | | | | | | |
| 6205 | 6205 | Sealed Bearings | Foot | Horizontal | - | / | / |

| Inverter Duty. Motor meets MG1 parts 31.4.4.2 | Constant Torque Range | Variable Torque Range | Constant HP RPM |
|--|-----------------------|-----------------------|-----------------|
| | | 10:1 | 20:1 |



Date: 2024-01-29
 Customer: _____
 Contact: _____
 Submittee: J.C. Lavallée

Catalogue #: **MPSP-156L**

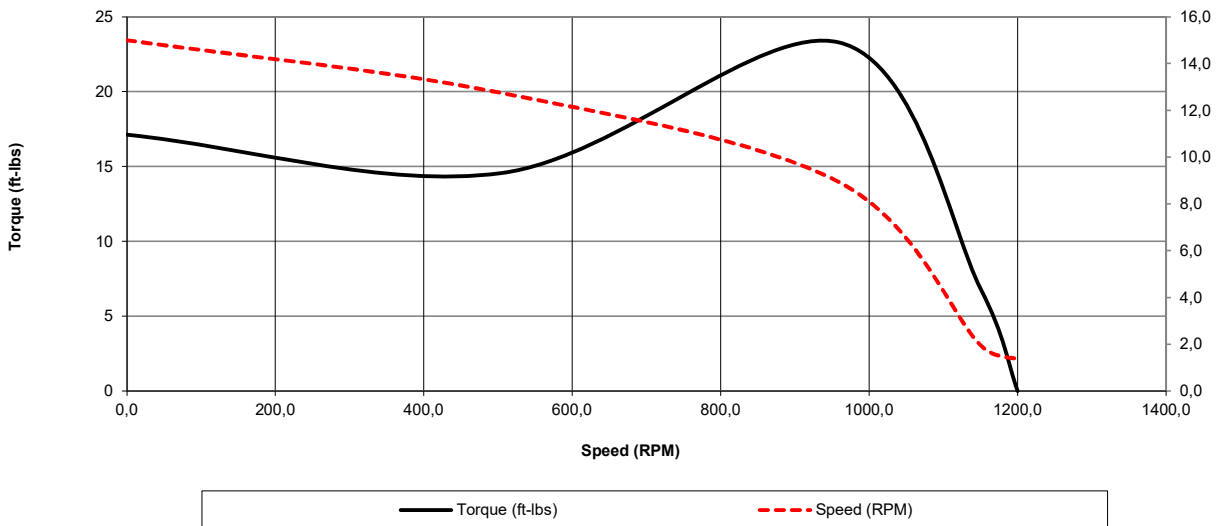
Meets or exceeds MEPS, as described by the US DOE in docket 10CFR431 and NRCan's Amendment 14

| HP | VAC | RPM | Enclosure | Frame | Frequency | Design | Poles | LR Code Letter | Insulation Class | Temp. Rise °C |
|-----|-----|------|-----------|-------|-----------|--------|-------|----------------|------------------|---------------|
| 1,5 | 575 | 1150 | TEFC | 56C | 60 | B | 6 | K | F | 66 |

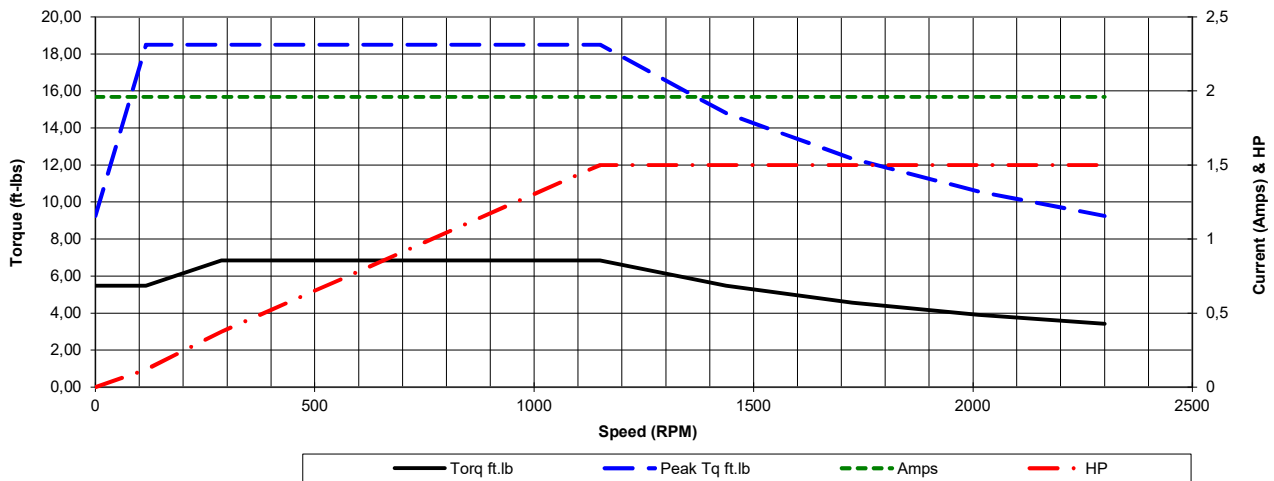
| | 0Hz | 6Hz | 15Hz | 30Hz | 45Hz | 60Hz | 75Hz | 90Hz | 105Hz | 120Hz |
|---------------|------|-------|-------|-------|-------|-------|--------|-------|--------|-------|
| Amps | 1,96 | 1,96 | 1,96 | 1,96 | 1,96 | 1,96 | 1,96 | 1,96 | 1,96 | 1,96 |
| RPM | 0 | 115 | 287,5 | 575 | 862,5 | 1150 | 1437,5 | 1725 | 2012,5 | 2300 |
| Torq ft.lb | 5,48 | 5,48 | 6,85 | 6,85 | 6,85 | 6,85 | 5,48 | 4,57 | 3,91 | 3,43 |
| Peak Tq ft.lb | 9,25 | 18,50 | 18,50 | 18,50 | 18,50 | 18,50 | 14,80 | 12,33 | 10,57 | 9,25 |
| HP | 0 | 0,1 | 0,4 | 0,8 | 1,1 | 1,5 | 1,5 | 1,5 | 1,5 | 1,5 |

| | Locked Rotor | Pull-Up | Breakdown | Rated Load | Idle | Duty | S. F. | Ambient | Elevation | dBa @ 1M |
|-----------------|--------------|---------|-----------|------------|------|---|-------|---------|-----------|----------|
| Speed (RPM) | 0,0 | 504 | 960 | 1150 | 1200 | Continuous | 1,15 | 40°C | 3,300 ft | / |
| Current (Amps) | 15,0 | 12,8 | 8,9 | 2,0 | 1,4 | VFD Rating: Meets MG1 parts 31.4.4.2 | | | | |
| Torque (ft-lbs) | 17,1 | 14,6 | 23,3 | 6,9 | 0,0 | CT : | 10:1 | VT : | 20:1 | |

Motor Speed Data



Motor Torque Capability vs RPM



Date: 2024-01-29
 Customer: _____
 Contact: _____
 Submittee: J.C. Lavallée

Catalogue #: **MPSP-156L**

Meets or exceeds MEPS, as described by the US DOE in docket 10CFR431 and NRCan's Amendment 14

| HP | VAC | RPM | Enclosure | Frame | Frequency | Design | Poles | LR Code Letter | Insulation Class | Temp. Rise °C |
|-----|-----|------|-----------|-------|-----------|--------|-------|----------------|------------------|---------------|
| 1,5 | 575 | 1150 | TEFC | 56C | 60 | B | 6 | K | F | 66 |

| Load % | 0% | 25% | 50% | 75% | 100% | 125% | 150% |
|-------------|------|--------|-------|--------|-------|--------|-------|
| Amps | 1,37 | 1,49 | 1,59 | 1,72 | 1,96 | 2,45 | 2,94 |
| Torq ft/lbs | 0 | 1,66 | 3,35 | 5,08 | 6,85 | 8,66 | 10,50 |
| RPM | 0 | 1187,5 | 1175 | 1162,5 | 1150 | 1137,5 | 1125 |
| Eff | 0 | 41,91 | 67,45 | 81,43 | 87,50 | 85,81 | 83,35 |
| PF | 0 | 45,0 | 52,4 | 60 | 65,5 | 66,8 | 68,8 |

| | Locked Rotor | Pull-Up | Breakdown | Rated Load | Idle | Duty | S. F. | Ambient | Elevation | dBA @ 1M |
|-----------------|--------------|---------|-----------|------------|-------|---|-------|---------|-----------|----------|
| Speed (RPM) | 0 | 504 | 960 | 1150 | 1200 | Continuous | 1,15 | 40°C | 3,300 ft | / |
| Current (Amps) | 15 | 12,8 | 8,9 | 1,96 | 1,372 | VFD Rating: Meets MG1 parts 31.4.4.2 | | | | |
| Torque (ft-lbs) | 17,13 | 14,56 | 23,29 | 6,85 | 0,0 | CT | 10:1 | VT | 20:1 | |

